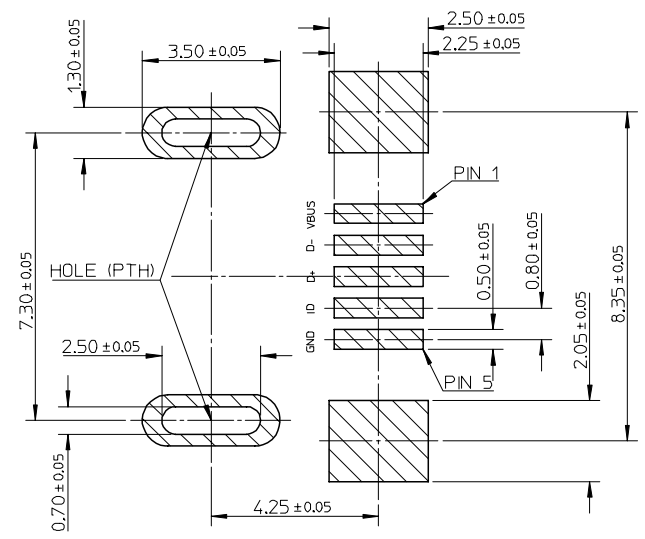
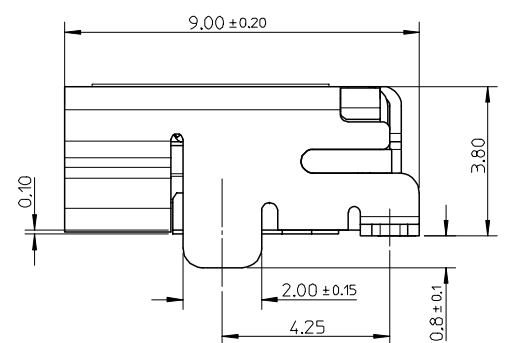
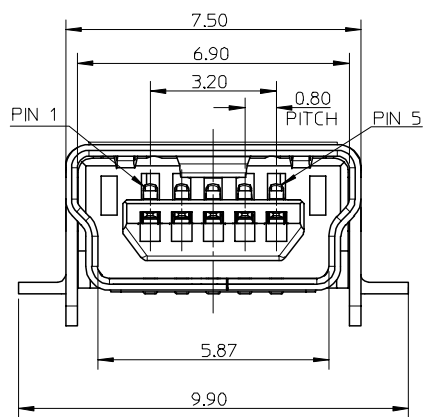


NOTE :

- MATERIAL :
HOUSING : NYLON GLASS FILLED , BLACK,UL94V-0
TERMINAL : COPPER ALLOY THICKNESS = 0.2 MM
SHIELD CASE : STAINLESS STEEL THICKNESS = 0.3 MM
- PLATING :
TERMINAL:
CONTACT AREA : GOLD 0.76 MICROMETER MINIMUM.
SOLDER TAIL AREA : MATTE TIN 3.8 MICROMETER MIN.
UNDER PLATING : NICKEL 1.27 MICROMETER MINIMUM.
SHIELD CASE :
2.5-4 MICROMETER SOLDERABLE NICKLE PLATING.
- TAIL & NAIL COPLANARITY 0.08 mm MAXIMUM.
- PRODUCT SPEC: PS-47153-001.
- PACKAGE INFORMATION: PER PK-47153-001.
- COMPLIANT TO RoHS DIRECTIVE 2002/95/EC AND ELV DIRECTIVE 2000/53/EC.



REVISE EC NO: DRWN:XJSONG CHKD: APPR:HWANG 2007/11/19 2007/11/20 2007/11/28	DESCRIPTION REV	QUALITY SYMBOLS ▽=0 ▽=0	GENERAL TOLERANCES (UNLESS SPECIFIED)		DIMENSION STYLE MM ONLY		SCALE 1:1	DESIGN UNITS METRIC	THIRD ANGLE PROJECTION			
				4 PLACES ± --- ± --- 3 PLACES ± --- ± --- 2 PLACES ± 0.25 ± --- 1 PLACE ± 0.25 ± --- ANGULAR ± 3 °	mm INCH	DRAWN BY XJSONG DATE 2006/05/09	TITLE USB SERIES MINI-B REC. ASS'Y DIP TYPE LEAD FREE					
				DRAFT WHERE APPLICABLE MUST REMAIN WITHIN DIMENSIONS			CHECKED BY IWANG DATE 2006/05/09	MOLEX INCORPORATED				
						APPROVED BY JNCHEN DATE 2006/05/09	MATERIAL NO. 47153-1002	DOCUMENT NO. SD-47153-002	SHEET NO. 1 OF 1			